

BLACKTECplus



THE NEW GLASSFIBER REINFORCED PIPE MADE OF PE100

BLACKTECplus is the innovative result of a continuous effort in our R&D activities. The goal is to improve flexibility, safety and efficiency in high challenge pipe networks for a high variety of applications.

$$\Delta L = L \cdot \Delta T \cdot \alpha$$

PE solid-wall pipe = 0,20 mm / m K
BLACKTECplus = 0,04 mm / m K

PRODUCT CHARACTERISTICS

- Max. 80% less linear expansion in comparison to PE solid-wall pipe
- Reliable characteristics of PE raw material remain unchanged.
- High durability and stiffness
- Installation identical to "normal" PE solid-wall pipe

APPLICATIONS

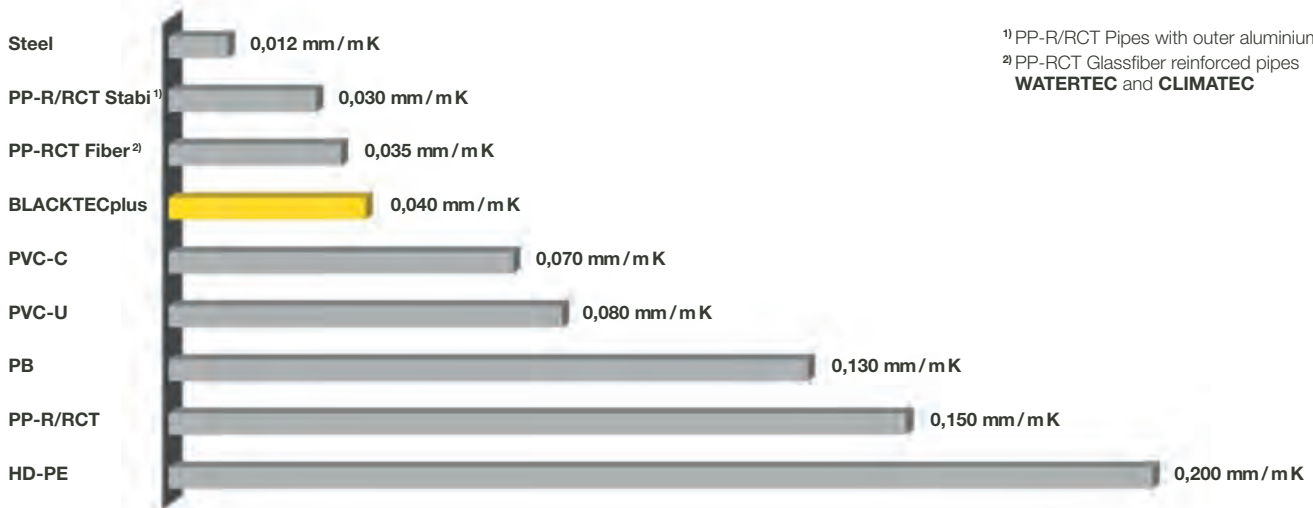
- Piping indoor and outdoor
 - processing technology
 - pump stations and pressure boosting systems
 - landfill technology and many more.



made
in
Germany

PATENT REQUESTED!

COEFFICIENT OF PIPE EXPANSION

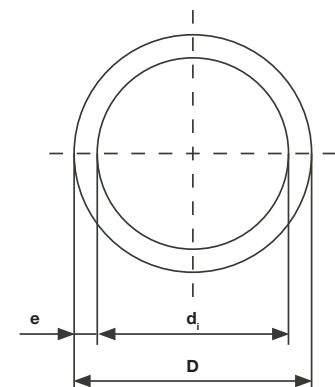


¹⁾ PP-R/RCT Pipes with outer aluminium layer

²⁾ PP-RCT Glassfiber reinforced pipes
WATERTEC and CLIMATEC

PLANNED PRODUCT LAUNCH 1ST QUARTER 2019

D	SDR 11	
	e	d _i
63	5,8	51,4
75	6,8	61,4
90	8,2	73,6
110	10,0	90,0
125	11,4	102,2
160	14,6	130,8
180	16,4	147,2
200	18,2	163,6
225	20,5	184,0
250	22,7	204,6
315	28,6	257,8



DPR3001DE-1833